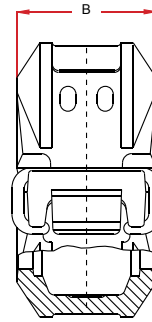
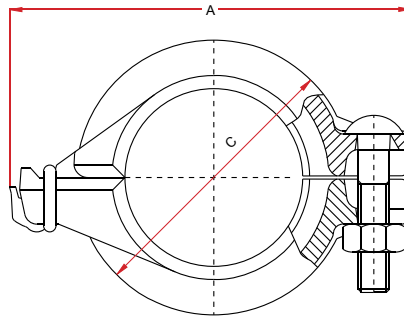


COUPLINGS / Style 007 QUIKHINGE™ (FLEXIBLE)

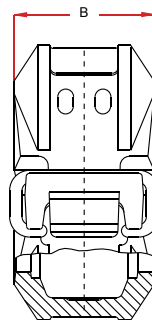
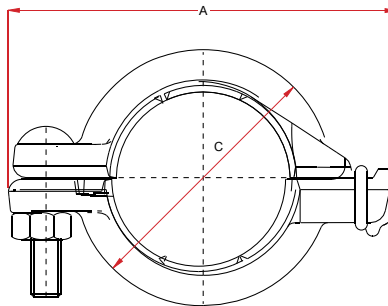


ONE BOLT FLEXIBLE COUPLING

Maximum working pressure: 230 psi. For fire protection equipment and approved pressure ratings please contact Modgal.

Nominal Size (Inches / DN)	Pipe Outside Diameter	Coupling Dimensions			Bolts				Max. End Load in Newton†	Allowed Pipe End Separation mm (‡)	Max. Deflection (from center line) Degrees per Cplg	Weight Lbs	Approvals
		A	B	C	No.	Size x Length							
1" / 25	1.315	3.94	1.73	2.36	1	3/8	x	2	238	0 - 0.13	3°25'	1.17	FM / UL / VDS
1¼" / 32	1.660	4.33	1.73	2.68	1	3/8	x	2¼"	379	0 - 0.13	3°	1.37	FM / UL / LPCB / VDS
1½" / 40	1.900	4.53	1.73	2.91	1	3/8	x	2¼"	496	0 - 0.13	2°40'	1.35	FM / UL / LPCB / VDS
2" / 50	2.375	5.08	1.77	3.50	1	3/8	x	2¼"	775	0 - 0.13	2°25'	1.52	FM / UL / LPCB / VDS
2½" / 65	2.875	5.59	1.77	3.86	1	3/8	x	2¼"	1,135	0 - 0.13	2°	1.87	FM / UL*
3" OD	3.000	5.71	1.77	4.02	1	3/8	x	2¼"	1,237	0 - 0.13	2°	1.92	FM / UL / VDS
3" / 80	3.500	6.50	1.81	4.61	1	3/8	x	2¼"	1,684	0 - 0.13	1°50'	2.43	FM / UL / LPCB / VDS
4" / 100	4.500	7.80	1.97	5.87	1	3/8	x	2¾"	2,783	0 - 0.25	2°25'	3.77	FM / UL / LPCB / VDS
5" OD	5.500	9.80	2.05	7.13	1	1/2	x	3½"	4,158	0 - 0.25	2°	6.50	FM / UL / LPCB / VDS
5" / 125	5.563	9.80	2.05	7.13	1	1/2	x	3½"	4,158	0 - 0.25	2°	6.50	FM / UL*
6" / 150	6.625	10.71	2.05	8.19	1	1/2	x	3½"	6,034	0 - 0.25	1°30'	6.84	FM / UL / LPCB / VDS

COUPLINGS / Style 007RT QUIKHINGE™ (RIGID)

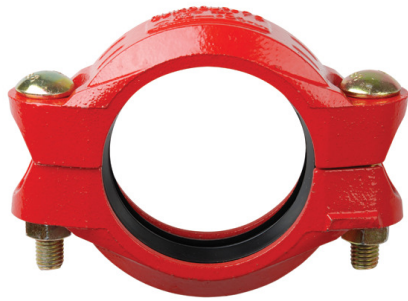


ONE BOLT RIGID COUPLING

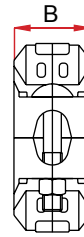
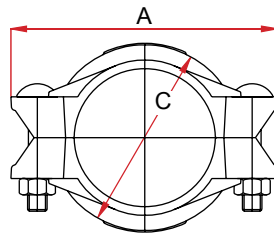
Maximum working pressure: 300 psi. For fire protection equipment and approved pressure ratings please contact Modgal.

Nominal Size (Inches / DN)	Pipe Outside Dia.	Coupling Dimensions			Bolts				Max. End Load in Lbs †	Allowed Pipe End Separation mm (‡)	Weight Lbs	Approvals
		A	B	C	No.	Size x Length						
1¼" / 32	1.660	4.25	1.73	2.56	1	3/8	x	2	508	0 - 0.04	1.08	FM / VDS
1½" / 40	1.900	4.49	1.73	2.80	1	3/8	x	2	659	0 - 0.04	1.26	FM / UL / LPCB / VDS
2" / 50	2.375	5.08	1.77	3.35	1	3/8	x	2	1,027	0 - 0.04	1.54	FM / UL / LPCB / VDS
2½" / 65	2.875	5.59	1.77	3.74	1	3/8	x	2¼"	1,506	0 - 0.04	1.65	FM / UL*
3" OD	3.000	5.71	1.77	3.82	1	3/8	x	2¼"	1,641	0 - 0.04	1.59	FM / UL / VDS
3" / 80	3.500	6.53	1.83	4.45	1	3/8	x	2¼"	2,232	0 - 0.04	2.21	FM / UL / LPCB / VDS
4" / 100	4.500	7.81	1.81	5.79	1	3/8	x	2¼"	3,690	0 - 0.04	3.40	FM / UL / LPCB / VDS
5" OD	5.500	9.82	2.05	7.13	1	1/2	x	3	5,512	0 - 0.12	6.50	FM / UL / LPCB / VDS
5" / 125	5.563	9.82	2.05	7.13	1	1/2	x	3	5,512	0 - 0.12	6.50	FM / UL*
6" / 150	6.625	10.87	2.05	8.19	1	1/2	x	3	8,000	0 - 0.12	6.95	FM / UL / LPCB / VDS

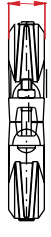
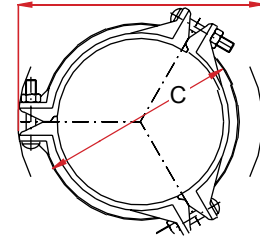
COUPLINGS / Style 75 (FLEXIBLE)



1 1/4" - 12"



14" - 15"

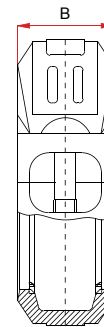
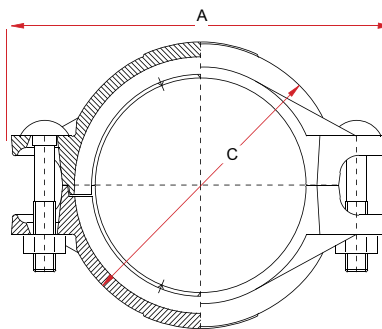
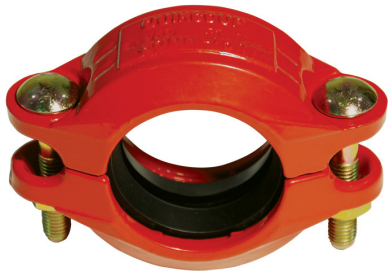


LIGHTWEIGHT FLEXIBLE COUPLING

Maximum working pressure: 500 psi. For fire protection equipment and approved pressure ratings please contact Modgal.

Nominal Size (Inches / DN)	Pipe Outside Dia.	Coupling Dimensions			Bolts			Max. End Load in Lbs ‡	Allowed Pipe End Separation †	Max. Deflection (from center line) Degrees per Cplg	Weight Lbs	Approvals
		A	B	C	No.	Size x Length						
1 1/4" / 32	1.660	4.09	1.81	2.76	2	3/8 x 2 1/4	508	0 - 0.13	4"10'	1.50	FM / UL / LPCB / VDS	
1 1/2" / 40	1.900	4.49	1.85	3.07	2	3/8 x 2 1/4	659	0 - 0.13	3"56'	1.76	FM / UL / LPCB / VDS	
2" / 50	2.375	4.92	1.85	3.58	2	3/8 x 2 1/4	1,027	0 - 0.13	3"25'	1.79	FM / UL / LPCB / VDS	
2 1/2" / 65	2.875	5.59	1.81	4.00	2	3/8 x 2 1/4	1,505	0 - 0.13	2"49'	2.16	FM / UL	
3" OD	3.000	5.67	1.85	4.17	2	3/8 x 2 1/4	1,640	0 - 0.13	2"23'	2.25	FM / UL / VDS	
3" / 80	3.500	6.36	1.85	4.67	2	1/2 x 3	2,232	0 - 0.13	1"05'	2.95	FM / UL / LPCB / VDS	
4" / 100	4.500	7.80	1.97	5.91	2	1/2 x 3	3,690	0 - 0.25	3"23'	4.28	FM / UL / LPCB / VDS	
5" OD	5.500	9.67	2.09	7.07	2	5/8 x 3 1/2	5,512	0 - 0.25	2"45'	7.10	FM / LPCB / VDS	
5" / 125	5.563	9.67	2.09	7.07	2	5/8 x 3 1/2	5,512	0 - 0.25	2"45'	7.10	FM / UL*	
6" / 150	6.625	10.85	2.13	7.99	2	5/8 x 3 1/2	8,000	0 - 0.25	1"10'	7.06	FM / UL / LPCB / VDS	
8" / 200	8.625	13.58	2.44	10.59	2	7/8 x 4 3/4	13,558	0 - 0.25	1"41'	15.74	FM / UL / LPCB / VDS	
10" / 250	10.750	16.14	2.64	13.31	2	7/8 x 7 1/8	15,878	0 - 0.25	0"40'	22.95	UL / VDS	
12" / 300	12.705	18.46	2.60	14.80	2	7/8 x 7 1/8	22,350	0 - 0.25	0"40'	24.98	UL / VDS	
14" / 350	14.000	20.43	2.87	16.34	3	7/8 x 5 1/2	26,939	0 - 0.25	-	39.09	-	
16" / 400	16.000	22.83	2.87	18.50	3	7/8 x 5 1/2	35,185	0 - 0.25	-	45.25	-	

COUPLINGS / Style 75RT (RIGID)

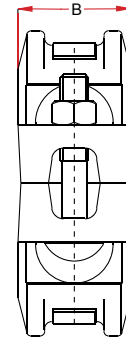
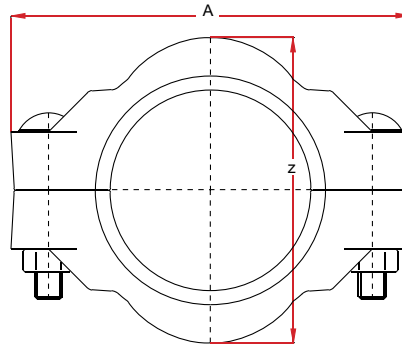


LIGHTWEIGHT RIGID COUPLING

Maximum working pressure: 500 psi. For fire protection equipment and approved pressure ratings please contact Modgal.

Nominal Size (Inches / DN)	Pipe Outside Diameter	Coupling Dimensions			Bolts			Max. End Load in Lbs ‡	Allowed Pipe End Separation †	Weight Lbs	Approvals
		A	B	C	No.	Size x Length					
1 1/4" / 32	1.660	4.09	1.85	2.70	2	3/8 x 2	657	0 - 0.04	1.41	FM / UL*	
1 1/2" / 40	1.900	4.49	1.85	3.07	2	3/8 x 2	851	0 - 0.04	1.72	FM / UL / LPCB / VDS	
2" / 50	2.375	4.92	1.83	3.54	2	3/8 x 2	1,328	0 - 0.04	1.81	FM / UL / LPCB / VDS	
2 1/2" / 65	2.875	5.59	1.85	4.09	2	3/8 x 2	1,946	0 - 0.04	2.11	FM / UL*	
3" OD	3.000	5.67	1.85	4.17	2	3/8 x 2	2,211	0 - 0.04	2.25	FM / UL / LPCB / VDS	
3" / 80	3.500	6.38	1.83	4.69	2	1/2 x 3	2,886	0 - 0.04	2.80	FM / UL / LPCB / VDS	
4" / 100	4.500	7.80	1.97	5.87	2	1/2 x 3	4,771	0 - 0.04	4.23	FM / UL / LPCB / VDS	
5" OD	5.500	9.65	2.13	7.09	2	5/8 x 3 1/2	7,127	0 - 0.12	6.8	FM / UL / LPCB / VDS	
5" / 125	5.563	9.65	2.13	7.09	2	5/8 x 3 1/2	7,127	0 - 0.12	6.80	FM / UL*	
6" / 150	6.625	10.83	2.13	7.95	2	5/8 x 3 1/2	10,345	0 - 0.12	7.06	FM / UL / LPCB / VDS	
8" / 200	8.625	13.58	2.44	10.63	2	7/8 x 4 3/4	17,532	0 - 0.12	15.83	FM / UL / LPCB / VDS	

COUPLINGS / Style 07 (HEAVY DUTY FLEXIBLE)

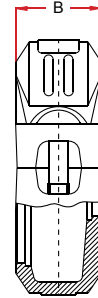
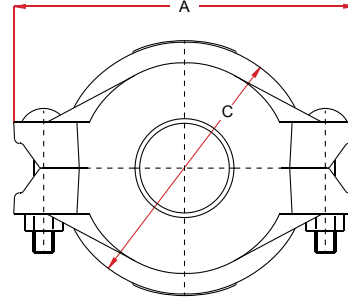
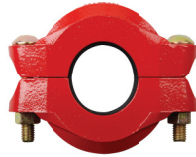
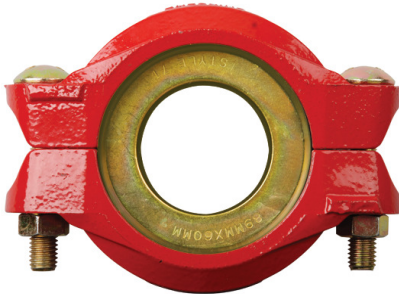


HEAVY DUTY FLEXIBLE COUPLING

Maximum working pressure: 1000 psi. For fire protection equipment and approved pressure ratings please contact Modgal.

Nominal Size (Inches / DN)	Pipe Outside Diameter	Coupling Dimensions			Bolts				Max. End Load in Lbs ‡	Allowed Pipe End Separation (mm §)	Max. Deflection (from center line)		Weight Lbs	Approvals
		A	B	C	No.	Size x Length					Degrees per Cplg			
1½" / 40	1.900	4.49	1.81	3.19	2	3/8	x	2¼	1,418	0.04	1°58'	1.96	FM	
2" / 50	2.375	5.43	1.89	3.78	2	1/2	x	3	2,213	0.04	1°42'	3.30	FM / UL / LPCB	
2½" / 65	2.875	5.75	1.89	4.33	2	1/2	x	3	3,525	0.04	1°22'	3.65	FM / UL	
3" OD	3,000	5.75	1.89	4.33	2	1/2	x	3	3,830	0.04	1°22'	3.48	FM	
3" / 80	3.500	6.69	1.89	5.12	2	1/2	x	3	4,810	0.04	1°05'	4.16	FM / UL / LPCB	
4" / 100	4.500	8.27	2.20	6.38	2	5/8	x	3½	7,952	0.12	1°40'	8.01	FM / UL / LPCB	
5" OD	5.500	9.92	2.20	7.56	2	3/4	x	4¾	11,878	0.12	1°25'	11.95	FM	
5" / 125	5.563	9.92	2.20	7.56	2	3/4	x	4¾	11,878	0.12	1°25'	11.73	FM / UL	
6" / 150	6.625	11.10	2.20	8.78	2	3/4	x	4¾	17,242	0.12	1°10'	13.21	FM / UL / LPCB	
8" / 200	8.625	13.86	2.52	11.18	2	7/8	x	5½	29,220	0.12	0°51'	21.86	FM / UL / LPCB	

COUPLINGS / Style 71 (REDUCING COUPLING)



REDUCING COUPLING

Maximum working pressure: 500 psi. For fire protection equipment and approved pressure ratings please contact Modgal.

Nominal Size (Inches / DN)	Pipe Outside Diameter	Coupling Dimensions			Bolts				Max. End Load in Lbs ‡	Allowed Pipe End Separation (mm §)	Max. Deflection (from center line)		Weight Lbs	Approvals
		A	B	C	No.	Size x Length					Degrees per Cplg			
2" x 1½" / 50 x 40	2.375 x 1.900	4.92	1.81	3.58	2	3/8	x	2¼	659	0 - 0.04	3°25'	2.09	FM / UL / VDS	
2½" x 2" / 60 x 50	2,875 x 1,900	5.55	1.81	3.98	2	3/8	x	2¼	1,027	0 - 0.04	2°49'	2.43	FM / UL*	
3" OD x 2"	3,000 x 2,375	5.63	1.85	4.13	2	3/8	x	2¼	1,027	0 - 0.04	2°23'	2.54	FM / UL / VDS	
3" x 2" / 80 x 50	3,500 x 2,375	6.34	1.81	4.72	2	1/2	x	3	1,027	0 - 0.04	1°05'	3.75	FM / UL / VDS	
3" x 2½" / 80 x 65	3,500 x 2,875	6.34	1.81	4.76	2	1/2	x	3	1,505	0 - 0.04	1°05'	3.42	FM / UL*	
3" x 3" OD	3,500 x 3,000	6.34	1.81	4.76	2	1/2	x	3	1,640	0 - 0.04	1°05'	3.31	FM / UL / VDS	
4" x 2" / 100 x 50	4,500 x 2,375	7.80	1.97	5.87	2	1/2	x	3	1,027	0 - 0.12	3°23'	5.95	FM / UL / VDS	
4" x 2½" / 100 x 65	4,500 x 2,875	7.80	1.97	4.67	2	1/2	x	3	1,505	0 - 0.12	2°49'	5.38	FM / UL*	
4" x 3" OD	4,500 x 3,000	7.80	1.97	5.87	2	1/2	x	3	1,640	0 - 0.12	2°23'	5.51	FM / UL / VDS	
4" x 3" / 100 x 80	4,500 x 3,500	7.80	1.97	5.87	2	5/8	x	3	2,232	0 - 0.12	1°05'	5.29	FM / UL / VDS	
5" OD x 4"	5,500 x 4,500	9.65	2.09	7.05	2	5/8	x	3½	3,690	0 - 0.12	2°45'	8.16	FM	
5" X 4" / 125 X 100	5,563 X 4,500	9.65	2.09	7.05	2	5/8	x	3½	3,690	0 - 0.12	2°45'	8.05	FM / UL*	
6" x 3" / 150 x 80	6,625 x 3,500	10.83	2.09	8.35	2	5/8	x	3½	2,232	0 - 0.12	1°05'	11.70	FM / UL / VDS	
6" x 4" / 150 x 100	6,625 x 4,500	10.83	2.09	8.35	2	5/8	x	3½	3,690	0 - 0.12	1°10'	9.70	FM / UL / VDS	
8" x 6" / 200 x 150	8,625 x 6,625	13.54	2.40	10.55	2	3/4	x	4¾	8,000	0 - 0.12	1°10'	19.18	FM	