

Receiver

 Society
 Reference
 Address
 Phone
 Fax
 E-mail

From

 S.AL TECH
 Ofer
 -
 -
 -
 ofer@saltech.co.il

Drainage station

FEKABOX 110

Item n° :

60164870

Pump type

Item n° :

Pump data

 Pressure rating : --
 Min. fluid temperature : 0 °C
 Max. fluid temperature : 45 °C
 Max. Ambient temperature :

Requested data

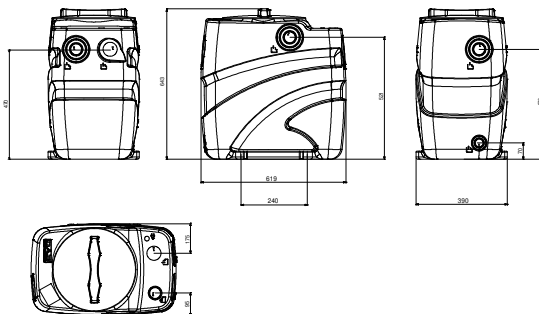
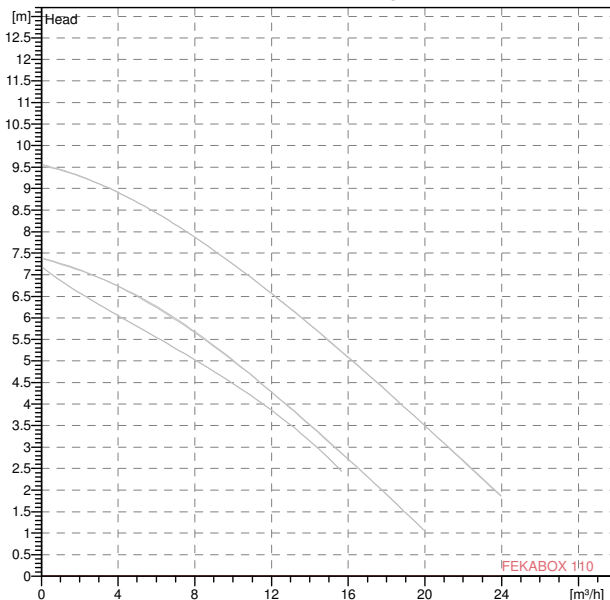
 Flow : 0 m³/h
 Head : 0 m
 Fluid : Water, pure
 Fluid Temperature : 20 °C
 Density : 0.998 kg/dm³
 Kinematic viscosity : 1 mm²/s
 Vapor pressure : 2.337 kPa

Hydraulic data (duty point)

 Flow :
 Head :

Materials

Tank High density polyethylene

Curve tolerance according to ISO 9906

Tank weight : 7 kg

Motor data

 Motor brand :
 Nominal power P2 :
 Rated speed :
 Rated voltage :
 Nominal current :
 Degree of protection :

Dimensions in mm

	A	B	C	D	E	F	G	I
Dimensions	295	700	560	380	DN 110	DN 50	DN 50	DN 110

Pump connection

 Suction side : DN 50/110
 Ventilation : DN 50
 Discharge side : 2 " G



PERFORMANCE CURVES

08-Dec-18

Page 2 / 3

DAB PUMPS S.p.A.
Via Marco Polo, 14 - 35035 Mestrino (PD), Italy
Tel. +39 049 5125000 - Fax +39 049 5125950
www.dabpumps.com

Receiver

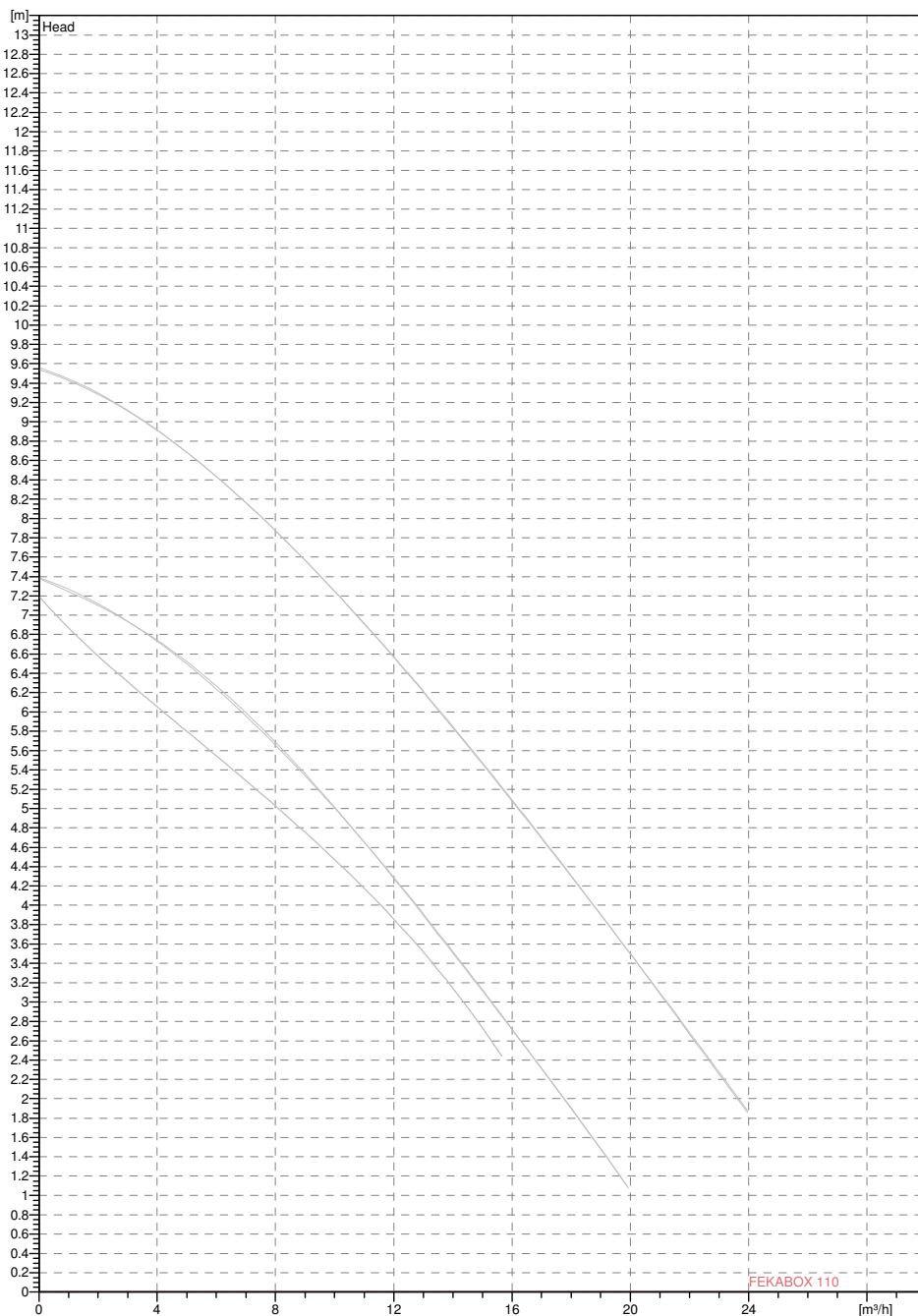
From

Society
Reference
Address
Phone
Fax
E-mail

S.AL TECH
Ofert
-
-
-
ofer@saltech.co.il

FEKABOX 110

Curve tolerance according to ISO 9906



Hydraulic data (duty point)

Suction side :
DN 50/110
--

Discharge side :
2 " G
--

Flow :
0 m³/h

Head :
0 m

Rated speed :

Project

Project ID

Created by

Created on

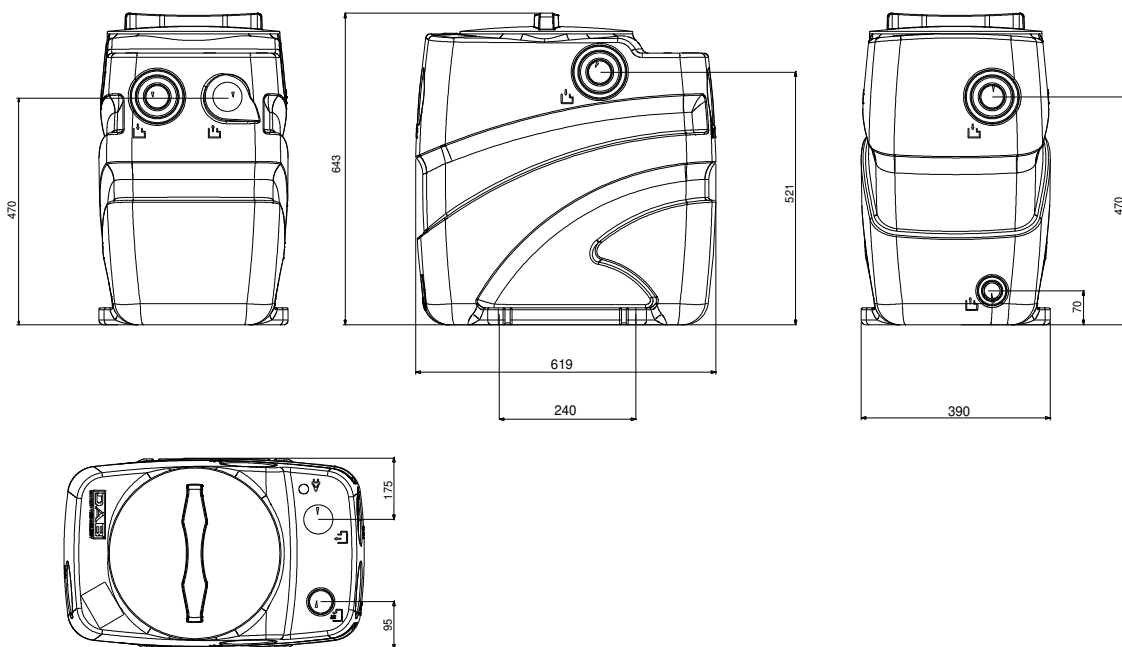
07-Dec-18

Receiver
From

 Society
 Reference
 Address
 Phone
 Fax
 E-mail

 S.AL TECH
 Ofer
 -
 -
 -
 ofer@saltech.co.il

FEKABOX 110


Dimensions in mm

1	A	295
2	B	700
3	C	560
4	D	380
5	E	DN 110
6	F	DN 50
7	G	DN 50
8	I	DN 110

Pump connection

 Suction
 DN 50/110
 --
 Discharge
 2" G
 --

Project

Project ID

Created by

Created on

07-Dec-18