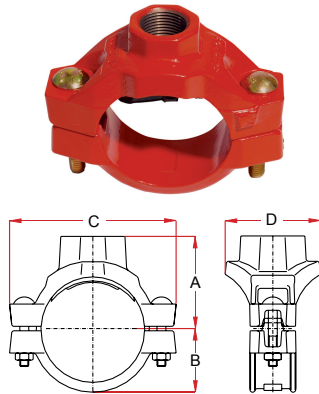


BRANCH OUTLETS / Style 08T / 08G

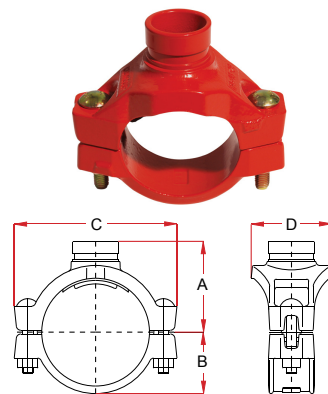
QUIK-T™ BRANCH OUTLETS

Maximum working pressure: 300 psi
For fire protection equipment and approved pressure ratings please contact Modgal.

STYLE 08T Threaded



STYLE 08G Grooved



Nominal Size (Inches / DN)		Pipe Outside Diameter	Outlet		Quik-T™ Dimensions					Hole Diameter	Bolts			Weight Lbs	Approvals
Run	Outlet		Size	Type	A		B	C	D	Tolerance +1/8"	Qty.	Size	Length		
					Thrd.	Grv.									
2" / 50	1/2" / 15	2,375	1/2"	T	2.28	-	1.63	5.31	2.99	1 1/2"	2	3/8"	2 1/4"	3.01	FM / UL / LPCB / VDS
	3/4" / 20	2,375	3/4"	T	2.28	-	1.63	5.31	2.99	1 1/2"	2	3/8"	2 1/4"	3.02	FM / UL / LPCB / VDS
	1" / 25	2,375	1"	T	2.58	-	1.63	5.31	2.99	1 1/2"	2	3/8"	2 1/4"	3.20	FM / UL / LPCB / VDS
	1 1/4" / 32	2,375	1 1/4"	T or G	2.74	3.01	1.63	5.31	3.23	1 3/4"	2	3/8"	2 1/4"	3.25	FM / UL / LPCB / VDS
	1 1/2" / 40	2,375	1 1/2"	T or G	2.74	3.01	1.63	5.31	3.23	1 3/4"	2	3/8"	2 1/4"	3.21	FM / UL / LPCB / VDS
2 1/2" / 65	1/2" / 15	2,875	1/2"	T	2.64	-	1.89	5.91	3.62	1 1/2"	2	1/2"	3"	4.01	FM / UL
	3/4" / 20	2,875	3/4"	T	2.72	-	1.89	5.91	3.62	1 1/2"	2	1/2"	3"	3.92	FM / UL
	1" / 25	2,875	1"	T	2.83	-	1.89	5.91	3.62	1 1/2"	2	1/2"	3"	3.86	FM / UL
	1 1/4" / 32	2,875	1 1/4"	T or G	2.99	3.23	1.89	5.91	3.62	2"	2	1/2"	3"	3.79	FM / UL
	1 1/2" / 40	2,875	1 1/2"	T or G	2.99	3.23	1.89	5.91	3.62	2"	2	1/2"	3"	3.98	FM / UL
3" OD	1/2" / 15	3,000	1/2"	T	2.64	-	1.89	5.91	3.62	1 1/2"	2	1/2"	3"	4.01	FM / UL / LPCB / VDS
	3/4" / 20	3,000	3/4"	T	2.72	-	1.89	5.91	3.62	1 1/2"	2	1/2"	3"	3.92	FM / UL / LPCB / VDS
	1" / 25	3,000	1"	T	2.83	-	1.89	5.91	3.62	1 1/2"	2	1/2"	3"	3.86	FM / UL / LPCB / VDS
	1 1/4" / 32	3,000	1 1/4"	T or G	2.99	3.23	1.89	5.91	3.62	2"	2	1/2"	3"	3.90	FM / UL / LPCB / VDS
	1 1/2" / 40	3,000	1 1/2"	T or G	2.99	3.23	1.89	5.91	3.62	2"	2	1/2"	3"	3.81	FM / UL / LPCB / VDS
3" / 80	1/2" / 15	3,500	1/2"	T	2.80	-	2.20	6.30	3.15	1 1/2"	2	1/2"	3"	4.19	FM / UL / LPCB / VDS
	3/4" / 20	3,500	3/4"	T	2.99	-	2.20	6.30	3.15	1 1/2"	2	1/2"	3"	4.44	FM / UL / LPCB / VDS
	1" / 25	3,500	1"	T	3.05	-	2.20	6.30	3.15	1 1/2"	2	1/2"	3"	4.26	FM / UL / LPCB / VDS
	1 1/4" / 32	3,500	1 1/4"	T or G	3.44	3.74	2.20	6.30	3.70	2"	2	1/2"	3"	4.37	FM / UL / LPCB / VDS
	1 1/2" / 40	3,500	1 1/2"	T or G	3.44	3.74	2.20	6.30	3.70	2"	2	1/2"	3"	4.26	FM / UL / LPCB / VDS
	2" / 50	3,500	2"	T or G	3.54	3.66	2.20	6.30	4.02	2 1/2"	2	1/2"	3"	5.01	FM / UL / LPCB / VDS
4" / 100	1/2" / 15	4,500	1/2"	T	3.43	-	2.72	7.36	3.78	1 1/2"	2	1/2"	3"	5.06	FM / LPCB / VDS
	3/4" / 20	4,500	3/4"	T	3.50	-	2.72	7.36	3.78	1 1/2"	2	1/2"	3"	4.98	FM / LPCB / VDS
	1" / 25	4,500	1"	T	3.62	-	2.72	7.36	3.78	1 1/2"	2	1/2"	3"	4.93	FM / LPCB / VDS
	1 1/4" / 32	4,500	1 1/4"	T or G	4.09	4.09	2.72	7.36	3.78	2"	2	1/2"	3"	5.03	FM / UL / LPCB / VDS
	1 1/2" / 40	4,500	1 1/2"	T or G	4.09	4.09	2.72	7.36	3.78	2"	2	1/2"	3"	4.79	FM / UL / LPCB / VDS
	2" / 50	4,500	2"	T or G	4.09	4.09	2.72	7.36	4.21	2 1/2"	2	1/2"	3"	5.50	FM / UL / LPCB / VDS
	2 1/2" / 65	4,500	2 1/2"	T or G	4.09	4.09	2.72	7.36	4.17	2 3/4"	2	1/2"	3"	5.57	FM / UL
	3" OD	4,500	3" OD	T or G	4.09	4.09	2.72	7.36	4.17	2 3/4"	2	1/2"	3"	5.57	FM / UL / VDS
5" OD	3" / 80	4,500	3"	T or G	4.41	4.45	2.72	7.36	5.12	3 1/2"	2	1/2"	3"	7.77	FM / UL / VDS
	1 1/4" / 32	5,500	1 1/4"	T or G	4.67	4.69	3.21	8.50	3.94	2"	2	5/8"	3 1/2"	7.36	FM / VDS
	1 1/2" / 40	5,500	1 1/2"	T or G	4.67	4.69	3.21	8.50	3.94	2"	2	5/8"	3 1/2"	7.21	FM / VDS
	2" / 50	5,500	2"	T or G	4.74	4.69	3.21	8.50	4.17	2 1/2"	2	5/8"	3 1/2"	7.65	FM / VDS
	3" OD	5,500	3" OD	G	-	4.69	3.21	8.50	4.21	2 3/4"	2	5/8"	3 1/2"	7.72	FM / VDS
6" / 150	1 1/4" / 32	6,625	1 1/4"	T or G	5.24	5.24	3.74	9.65	3.78	2"	2	5/8"	4 3/4"	7.99	FM / UL / LPCB / VDS
	1 1/2" / 40	6,625	1 1/2"	T or G	5.24	5.14	3.74	9.65	3.78	2"	2	5/8"	4 3/4"	8.01	FM / UL / LPCB / VDS
	2" / 50	6,625	2"	T or G	5.12	5.18	3.74	9.65	4.21	2 1/2"	2	5/8"	4 3/4"	8.65	FM / UL / LPCB / VDS
	2 1/2" / 65	6,625	2 1/2"	G	-	5.22	3.74	9.65	4.21	2 3/4"	2	5/8"	4 3/4"	8.94	FM / UL
	3" OD	6,625	3" OD	T or G	5.53	5.22	3.74	9.65	4.21	2 3/4"	2	5/8"	4 3/4"	8.94	FM / UL / LPCB / VDS
	3" / 80	6,625	3"	T or G	5.41	5.45	3.74	9.72	5.51	3 1/2"	2	5/8"	4 3/4"	10.69	FM / UL / VDS
	4" / 100	6,625	4"	T or G	5.67	5.49	3.86	9.72	6.42	4 1/2"	2	5/8"	4 3/4"	9.57	FM / UL / LPCB / VDS
8" / 200	2 1/2" / 65	8,625	2 1/2"	G	-	6.10	4.84	12.60	4.72	2 3/4"	2	3/4"	4 3/4"	10.46	-
	3" OD	8,625	3" OD	T or G	6.20	6.10	4.84	12.60	4.72	2 3/4"	2	3/4"	4 3/4"	10.46	-
	3" / 80	8,625	3"	T or G	6.34	6.34	4.84	12.60	5.43	3 1/2"	2	3/4"	4 3/4"	12.18	VDS
	4" / 100	8,625	4"	T or G	6.73	6.34	4.84	12.60	6.46	4 1/2"	2	3/4"	4 3/4"	12.33	VDS

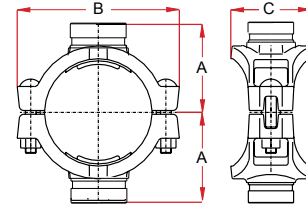
BRANCH OUTLETS / Style 87G

QUIK-T™ BRANCH OUTLETS

Maximum working pressure: 300 psi
For fire protection equipment and approved pressure ratings please contact Modgal.

STYLE 87G

Cross Grooved



Nominal Size (Inches / DN)		Pipe Outside Diameter	Outlet	Quik-T™ Dimensions			Hole Diameter	Bolts			Weight Lbs	Approvals
Run	Outlet		Size	A	B	C	Tolerance +1/8"	Qty.	Size	Length		
2" / 50	1/4" / 32	2.375	1/4"	3.01	5.31	3.23	1 3/4"	2	3/8"	2 1/4"	4.31	FM / UL / LPCB / VDS
	1/2" / 40	2.375	1/2"	3.01	5.31	3.23	1 3/4"	2	3/8"	2 1/4"	4.35	FM / UL / LPCB / VDS
2 1/2" / 65	1/4" / 32	2.875	1/4"	3.23	5.91	3.62	2"	2	1/2"	3"	4.74	FM / UL
	1/2" / 40	2.875	1/2"	3.23	5.91	3.62	2"	2	1/2"	3"	5.12	FM / UL
3" OD	1/4" / 32	3.000	1/4"	3.23	5.91	3.62	2"	2	1/2"	3"	4.75	FM / UL / LPCB / VDS
	1/2" / 40	3.000	1/2"	3.23	5.91	3.62	2"	2	1/2"	3"	5.11	FM / UL / LPCB / VDS
3" / 80	1/4" / 32	3.500	1/4"	3.74	6.30	3.74	2"	2	1/2"	3"	5.62	FM / UL / LPCB / VDS
	1/2" / 40	3.500	1/2"	3.74	6.30	3.70	2"	2	1/2"	3"	5.82	FM / UL / LPCB / VDS
	2" / 50	3.500	2"	3.66	6.30	4.13	2 1/2"	2	1/2"	3"	5.31	FM / UL / LPCB / VDS
4" / 100	1/4" / 32	4.500	1/4"	4.09	7.36	3.78	2"	2	1/2"	3"	6.13	FM / UL / LPCB / VDS
	1/2" / 40	4.500	1/2"	4.09	7.36	3.78	2"	2	1/2"	3"	6.16	FM / UL / LPCB / VDS
	2" / 50	4.500	2"	4.09	7.36	4.21	2 1/2"	2	1/2"	3"	7.09	FM / UL / LPCB / VDS
	2 1/2" / 65	4.500	2 1/2"	4.09	7.36	4.17	2 3/4"	2	1/2"	3"	7.88	FM / UL
	3" OD	4.500	3" OD	4.09	7.36	4.17	2 3/4"	2	1/2"	3"	7.88	FM / UL / VDS
5" OD	3" / 80	4.500	3"	4.45	7.36	5.12	3 1/2"	2	1/2"	3"	12.26	FM / UL / VDS
	1/4" / 32	5.500	1/4"	4.69	8.50	3.94	2"	2	5/8"	3 1/2"	8.78	FM / VDS
	1/2" / 40	5.500	1/2"	4.69	8.50	3.94	2"	2	5/8"	3 1/2"	8.95	FM / VDS
	2" / 50	5.500	2"	4.69	8.50	4.17	2 1/2"	2	5/8"	3 1/2"	9.48	FM / VDS
6" / 150	3" OD	5.500	3" OD	4.69	8.50	4.21	2 3/4"	2	5/8"	3 1/2"	10.15	FM / VDS
	1/4" / 32	6.625	1/4"	5.24	9.65	3.78	2"	2	5/8"	4 3/4"	9.33	FM / UL / LPCB / VDS
	1/2" / 40	6.625	1/2"	5.14	9.65	3.78	2"	2	5/8"	4 3/4"	9.55	FM / UL / LPCB / VDS
	2" / 50	6.625	2"	5.18	9.65	4.21	2 1/2"	2	5/8"	4 3/4"	10.84	FM / UL
	2 1/2" / 65	6.625	2 1/2"	5.22	9.65	4.21	2 3/4"	2	5/8"	4 3/4"	11.36	FM / UL / LPCB / VDS
	3" OD	6.625	3" OD	5.22	9.65	4.21	2 3/4"	2	5/8"	4 3/4"	11.36	FM / UL / LPCB / VDS
	3" / 80	6.625	3"	5.45	9.72	5.51	3 1/2"	2	5/8"	4 3/4"	15.91	FM / UL / VDS
	4" / 100	6.625	4"	5.49	9.72	6.42	4 1/2"	2	5/8"	4 3/4"	13.77	FM / UL / LPCB / VDS
8" / 200	2 1/2" / 65	8.625	2 1/2"	6.10	12.60	4.72	2 3/4"	2	3/4"	4 3/4"	13.75	-
	3" OD	8.625	3" OD	6.10	12.60	4.72	2 3/4"	2	3/4"	4 3/4"	13.75	-
	3" / 80	8.625	3"	6.34	12.60	5.43	3 1/2"	2	3/4"	4 3/4"	16.83	VDS
	4" / 100	8.625	4"	6.34	12.60	6.46	4 1/2"	2	3/4"	4 3/4"	17.19	VDS

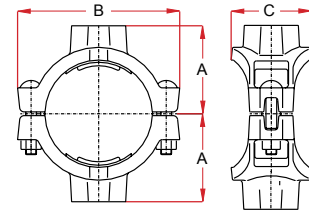
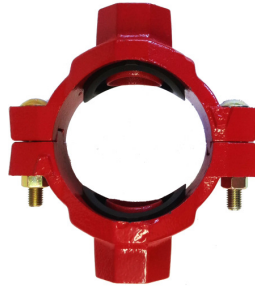
BRANCH OUTLETS / Style 88T

QUIK-T™ BRANCH OUTLETS

Maximum working pressure: 300 psi
For fire protection equipment and approved pressure ratings please contact Modgal.

STYLE 88T

Cross Threaded



Nominal Size (Inches / DN)		Pipe Outside Diameter	Outlet Size	Quik-T™ Dimensions			Hole Diameter Tolerance +1/8"	Bolts			Weight Lbs	Approvals
Run	Outlet			A	B	C		Qty.	Size	Length		
2" / 50	1/2" / 15	2,375	1/2"	2.28	5.31	2.99	1 1/2"	2	3/8"	2 1/4"	3.75	FM / UL / LPCB / VDS
	3/4" / 20	2,375	3/4"	2.28	5.31	2.99	1 1/2"	2	3/8"	2 1/4"	3.84	FM / UL / LPCB / VDS
	1" / 25	2,375	1"	2.58	5.31	2.99	1 1/2"	2	3/8"	2 1/4"	4.16	FM / UL / LPCB / VDS
	1 1/4" / 32	2,375	1 1/4"	2.74	5.31	3.23	1 3/4"	2	3/8"	2 1/4"	4.25	FM / UL / LPCB / VDS
	1 1/2" / 40	2,375	1 1/2"	2.74	5.31	3.23	1 3/4"	2	3/8"	2 1/4"	4.21	FM / UL / LPCB / VDS
2 1/2" / 65	1/2" / 15	2,875	1/2"	2.64	5.91	3.62	1 1/2"	2	1/2"	3"	5.09	FM / UL
	3/4" / 20	2,875	3/4"	2.72	5.91	3.62	1 1/2"	2	1/2"	3"	4.98	FM / UL
	1" / 25	2,875	1"	2.83	5.91	3.62	1 1/2"	2	1/2"	3"	4.87	FM / UL
	1 1/4" / 32	2,875	1 1/4"	2.99	5.91	3.62	2"	2	1/2"	3"	4.94	FM / UL
	1 1/2" / 40	2,875	1 1/2"	2.99	5.91	3.62	2"	2	1/2"	3"	4.78	FM / UL
3" OD	1/2" / 15	3,000	1/2"	2.64	5.91	3.62	1 1/2"	2	1/2"	3"	5.10	FM / UL / LPCB / VDS
	3/4" / 20	3,000	3/4"	2.72	5.91	3.62	1 1/2"	2	1/2"	3"	4.99	FM / UL / LPCB / VDS
	1" / 25	3,000	1"	2.83	5.91	3.62	1 1/2"	2	1/2"	3"	4.87	FM / UL / LPCB / VDS
	1 1/4" / 32	3,000	1 1/4"	2.99	5.91	3.62	2"	2	1/2"	3"	4.93	FM / UL / LPCB / VDS
	1 1/2" / 40	3,000	1 1/2"	2.99	5.91	3.62	2"	2	1/2"	3"	4.78	FM / UL / LPCB / VDS
3" / 80	1/2" / 15	3,500	1/2"	2.80	6.30	3.15	1 1/2"	2	1/2"	3"	5.50	FM / UL / LPCB / VDS
	3/4" / 20	3,500	3/4"	2.99	6.30	3.15	1 1/2"	2	1/2"	3"	6.00	FM / UL / LPCB / VDS
	1" / 25	3,500	1"	3.05	6.30	3.15	1 1/2"	2	1/2"	3"	5.72	FM / UL / LPCB / VDS
	1 1/4" / 32	3,500	1 1/4"	3.44	6.30	3.70	2"	2	1/2"	3"	5.70	FM / UL / LPCB / VDS
	1 1/2" / 40	3,500	1 1/2"	3.44	6.30	3.70	2"	2	1/2"	3"	5.70	FM / UL / LPCB / VDS
	2" / 50	3,500	2"	3.54	6.30	4.02	2 1/2"	2	1/2"	3"	6.76	FM / UL / LPCB / VDS
4" / 100	1/2" / 15	4,500	1/2"	3.43	7.36	3.78	1 1/2"	2	1/2"	3"	6.80	FM / LPCB / VDS
	3/4" / 20	4,500	3/4"	3.50	7.36	3.78	1 1/2"	2	1/2"	3"	6.73	FM / LPCB / VDS
	1" / 25	4,500	1"	3.62	7.36	3.78	1 1/2"	2	1/2"	3"	6.51	FM / LPCB / VDS
	1 1/4" / 32	4,500	1 1/4"	4.09	7.36	3.78	2"	2	1/2"	3"	6.76	FM / UL / LPCB / VDS
	1 1/2" / 40	4,500	1 1/2"	4.09	7.36	3.78	2"	2	1/2"	3"	6.39	FM / UL / LPCB / VDS
	2" / 50	4,500	2"	4.09	7.36	4.21	2 1/2"	2	1/2"	3"	7.68	FM / UL / LPCB / VDS
	3" OD	4,500	3" OD	4.09	7.36	4.17	2 3/4"	2	1/2"	3"	10.80	FM / UL / VDS
	3" / 80	4,500	3"	4.41	7.36	5.12	3 1/2"	2	1/2"	3"	12.37	FM / UL / VDS
5" OD	1 1/4" / 32	5,500	1 1/4"	4.67	8.50	3.94	2"	2	5/8"	3 1/2"	9.39	FM / VDS
	1 1/2" / 40	5,500	1 1/2"	4.67	8.50	3.94	2"	2	5/8"	3 1/2"	9.12	FM / VDS
	2" / 50	5,500	2"	4.74	8.31	4.17	2 1/2"	2	5/8"	3 1/2"	10.02	FM / VDS
6" / 150	1 1/4" / 32	6,625	1 1/4"	5.24	9.65	3.78	2"	2	5/8"	4 3/4"	9.92	FM / LPCB / VDS
	1 1/2" / 40	6,625	1 1/2"	5.24	9.65	3.78	2"	2	5/8"	4 3/4"	9.91	FM / LPCB / VDS
	2" / 50	6,625	2"	5.12	9.65	4.21	2 1/2"	2	5/8"	4 3/4"	11.62	FM / LPCB / VDS
	3" OD	6,625	3" OD	5.53	9.72	4.61	2 3/4"	2	5/8"	4 3/4"	14.59	FM / LPCB / VDS
	3" / 80	6,625	3"	5.41	9.72	5.51	3 1/2"	2	5/8"	4 3/4"	14.56	FM / UL / VDS
	4" / 100	6,625	4"	5.67	9.72	6.30	4 1/2"	2	5/8"	4 3/4"	17.75	FM / UL / VDS
8" / 200	3" OD	8,625	3" OD	6.20	12.60	4.72	2 3/4"	2	3/4"	4 3/4"	15.41	-
	3" / 80	8,625	3"	6.34	12.60	5.55	3 1/2"	2	3/4"	4 3/4"	16.72	VDS
	4" / 100	8,625	4"	6.73	12.80	6.73	4 1/2"	2	3/4"	4 3/4"	23.48	VDS

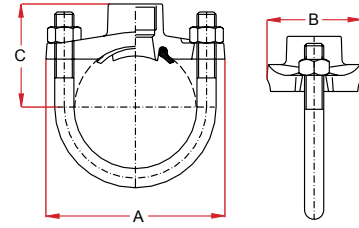
BRANCH OUTLETS / Style 99

QUIK-T™ BRANCH OUTLETS

Maximum working pressure: 300 psi
For fire protection equipment and approved pressure ratings please contact Modgal.

STYLE 99 QUIKLET™

Sprinkler Fitting



Nominal Size (Inches / DN)		Pipe Outside Diameter	Outlet Type	Quik-T™ Dimensions			Hole Diameter Tolerance +1/16"	U-Bolt			Weight Lbs	Approvals
Run	Outlet			A	B	C		Nut Qty.	Size	Length		
1 1/4" / 32	3/8" / 10	1,660	BSP	3.58	2.28	1.69	1 3/16"	2	3/8"	2 1/2"	0.80	-
	1/2" / 15	1,660	BSP / NPT	3.58	2.28	1.69	1 3/16"	2	3/8"	2 1/2"	0.80	FM / UL / VDS
	3/4" / 20	1,660	BSP / NPT	3.58	2.28	1.97	1 3/16"	2	3/8"	2 1/2"	0.90	FM / UL / VDS
	1" / 25	1,660	BSP / NPT	3.58	2.28	2.20	1 3/16"	2	3/8"	2 1/2"	0.96	FM / VDS
1 1/2" / 40	3/8" / 10	1,900	BSP	3.58	2.28	1.74	1 3/16"	2	3/8"	2 1/2"	0.79	-
	1/2" / 15	1,900	BSP / NPT	3.58	2.28	1.74	1 3/16"	2	3/8"	2 1/2"	0.79	FM / UL / VDS
	3/4" / 20	1,900	BSP / NPT	3.58	2.28	2.01	1 3/16"	2	3/8"	2 1/2"	0.83	FM / UL / VDS
	1" / 25	1,900	BSP / NPT	3.58	2.28	2.26	1 3/16"	2	3/8"	2 1/2"	0.93	FM / VDS
2" / 50	3/8" / 10	2,375	BSP	3.80	2.28	1.97	1 3/16"	2	3/8"	3 1/4"	0.84	-
	1/2" / 15	2,375	BSP / NPT	3.80	2.28	1.97	1 3/16"	2	3/8"	3 1/4"	0.84	FM / UL / VDS
	3/4" / 20	2,375	BSP / NPT	3.80	2.28	2.26	1 3/16"	2	3/8"	3 1/4"	0.88	FM / UL / VDS
	1" / 25	2,375	BSP / NPT	3.80	2.28	2.50	1 3/16"	2	3/8"	3 1/4"	0.98	FM / UL / VDS
2 1/2" / 65	1/2" / 15	2,875	BSP / NPT	4.41	2.24	2.50	1 3/16"	2	1/2"	4 1/2"	1.46	FM / UL*
	3/4" / 20	2,875	BSP / NPT	4.41	2.24	2.54	1 3/16"	2	1/2"	4 1/2"	1.46	FM / UL*
	1" / 25	2,875	BSP / NPT	4.41	2.24	2.85	1 3/16"	2	1/2"	4 1/2"	1.59	FM / UL*
3" OD	1/2" / 15	3,000	BSP	4.41	2.24	2.50	1 3/16"	2	1/2"	4 1/2"	1.32	FM / UL / VDS
	3/4" / 20	3,000	BSP	4.41	2.24	2.54	1 3/16"	2	1/2"	4 1/2"	1.32	FM / UL / VDS
	1" / 25	3,000	BSP	4.41	2.24	2.85	1 3/16"	2	1/2"	4 1/2"	1.41	FM / UL / VDS