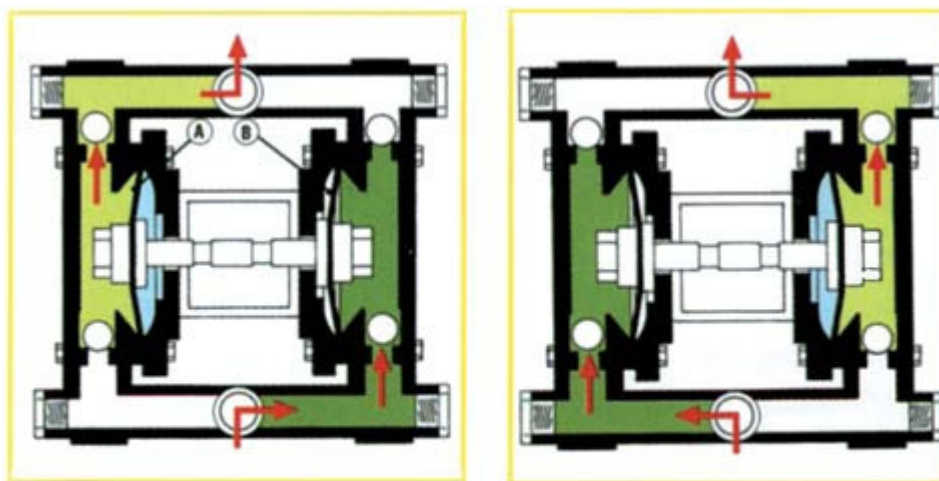





## Air operated diaphragm pumps

### Advantages

1. Pumping of aggressive and flammable substances, viscous liquids also with solids and media containing gas.
2. Especially suitable for use in hazardous areas (ATEX certification).
3. Reliability even at high humidity.
4. Adjustable flow rate and head via air pressure.
5. Dry running without any problems.
6. Dry self -priming.
7. Three suction and delivery connections.
8. Operation with non-lubricated air.
9. Manifolds can be separated. Therefore two different media can be pumped at the same time.
10. Easy replacement of spare parts and maintenance by your service department.



 Druckluft	 Saugvorgang	 Druckvorgang
Compressed air	Suction process	Delivery process

### Phase 1:

The air that is supplied behind the diaphragm pushes the medium from the chamber to the delivery connection.

At the same time the diaphragm "B" is pulled by the shaft. This creates the suction process.

### Phase 2:

Direction is reversed at stroke end.

## Technical construction of the pumps

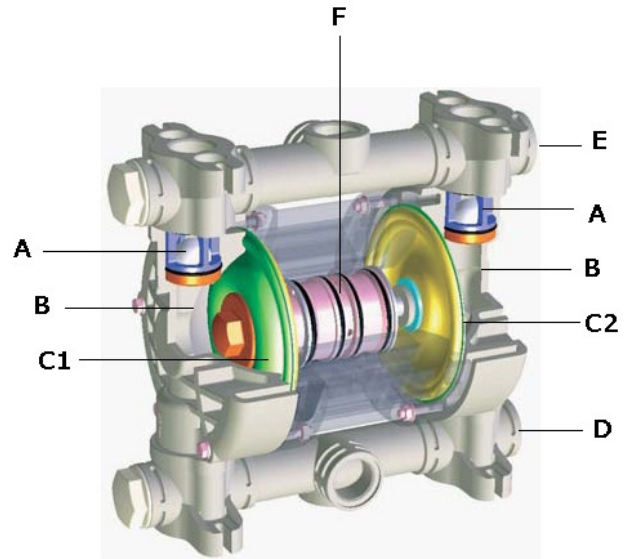
**A**=balls, ball seats, o-rings

**B** = Pumping chamber.

**C1** =Product-side diaphragm.

**C2** = Air-side diaphragm. **D** = Suction connection.

**E** =Delivery connection. **F** = Pneumatic exchanger.



Baureihe JP-800	<a href="#">800.5</a>	<a href="#">800.1 6</a>	<a href="#">800.3 0</a>	<a href="#">800.5 0</a>	<a href="#">800.9 0</a>	<a href="#">800.9 1</a>	<a href="#">800.1 50</a>	<a href="#">800.2 20</a>	<a href="#">800.3 40</a>	<a href="#">800.3 41</a>	<a href="#">800.6 50</a>	<a href="#">800.8 50</a>
Materialien	PP	PP, ECTF E	PP, PVDF, Alu, SS	PP, PVDF, Alu, SS	SS	PP, PVDF, Alu	PP, PVDF, Alu, SS	PP, PVDF, Alu, SS	PP, PVDF	Alu, SS	PP, PVDF, Alu, SS	PP, PVDF, Alu, SS
Anschlüsse	1/4 "	3/8"	1/2 "	1/2 "	1"	1"	1"	1 1/4"	1 1/2"	1 1/2"	2"	3"
Luftanschlus s	1/8"	3/8"	1/4"	3/8"	3/8"	3/8"	3/8"	1/2"	1/2"	1/2"	1/2"	3/4"
Saughöhe trocken	3 m	2 m	6 m	5 m	6 m	6 m	5 m	5 m	6 m	6 m	4 m	5 m
Max. Leistung	5 l/mi n	17 l/min	30 l/min	50 l/min	100 l/min	100 l/min	150 l/min	220 l/min	340 l/min	340 l/min	650 l/min	900 l/min
Max. Höhe	70 m	70 m	70 m	70 m	70 m	70 m	70 m	70 m	70 m	70 m	70 m	70 m
Feststoffe	kein e	0,5 mm	2 mm	4 mm	4 mm	4 mm	4 mm	5 mm	6 mm	6 mm	8 mm	10 mm
Betriebsdr uck	7 bar	7 bar	7 bar	7 bar	7 bar	7 bar	7 bar	7 bar	7 bar	7 bar	7 bar	7 bar