

Butterfly valve with tamper switch grooved end

Model No. XD381X

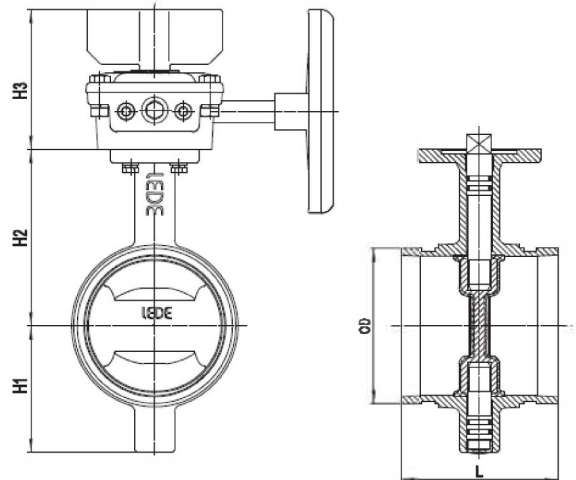


Name of parts	Material
Body	Ductile iron
Plug	EPDM
Driven shaft	1Cr17Ni2
Disc	Ductile iron and EPDM
Actuating shaft	1Cr17Ni2
Bearing bush	Bronze
O-rings	EPDM
Gear operator	Ductile iron and steel

12

Technical data >

- Sizes: 60.3~219.1
- Working pressure: 60.3~168.3 362 psi, 219.1 232psi
- Valve standard: MSS SP-67
- Grooved standard: AWWA C606
- Top Flange standard: EN ISO 5211
- Temperature range: 0 – 80 C
- Suitable for indoor and outdoor use



Dimensions		Pressure rating	Size (mm)					
DN	inch		psi	OD	L	H1	H2	H3
50	2	362	60.3	81	56	91	103	F05
65	2.5	362	73	96.8	68	104	103	F05
			76.1					
80	3	362	88.9	96.8	75	111	103	F07
100	4	362	114.3	115.8	93	130	103	F07
125	5	362	139.7	147.6	111	153	103	F07
			141.3		111	153		
150	6	362	165.1	147.6	123	165	103	F07
			168.3		123	165		
200	8	232	219.1	133.4	160	194	109	F07