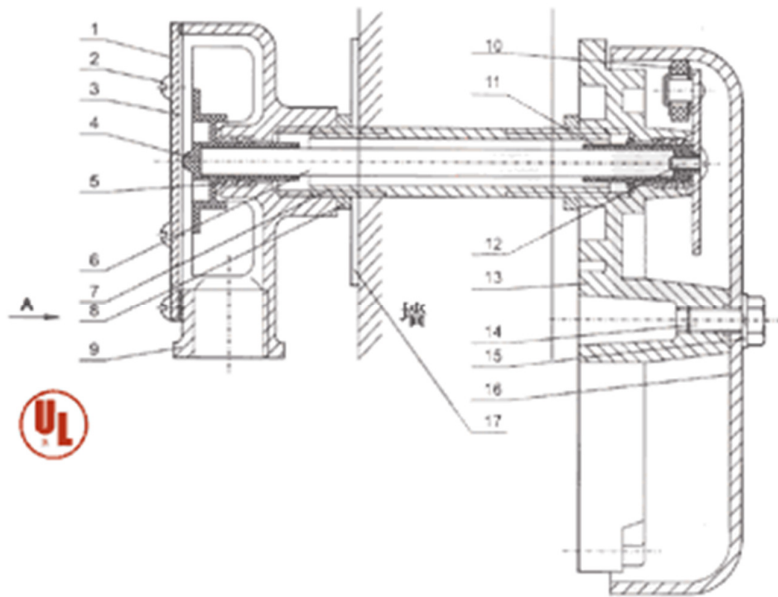


**Brief introduction:**

Blue seal water motor gong conform with the UL standard and have got the UL approval. Water motor gong alarm by water flow and equip with alarm valve, deluge valve, sprinkler, foam head and retard chamber as a automatic spray system. When fire occur, the alarm valve start up, the water flow from alarm valve and retard chamber then water motor gong, to drive impeller and wheel to beat the body and then the alarm come into being.

**Specification and structure:**

Model : WM



**Install & Usage Guide:**

Before install BSW water motor gong, it must be clear against deposit, sand etc. or must be filter device is requested, The relative installation height between gong and alarm valve can't exceed 1.8m and the relative distance can't exceed 23m. And the midway must reduce the bender and the connector. In accordance with the location, it can be reduce the connector pipe length, but adjust the axes length for assure no sluggish when the wheel rotate. Check for two quarter is recommended.

**Working Pressure:** 1.2MPa

Edit no	Name	Material	Edit no	Name	Material
1.	Upper cover	AL.	10.	wheel	polyester
2.	Screw	Carbonize steel	11.	rotate axes	rotate axes
3.	Seal gasket	Soft steel	12.	screw	nylon
4.	impeller	nylon	13.	frame	AL.
5.	axes jacket	nylon	14.	plug	carbonize steel
6.	axes	AL.	15.	spring gasket ring	carbonize steel
7.	connector pipe	round steel zinc plated	16.	body	AL.
8.	screw	brass	17.	install board	carbonize steel
9.	impeller jacket	AL.			