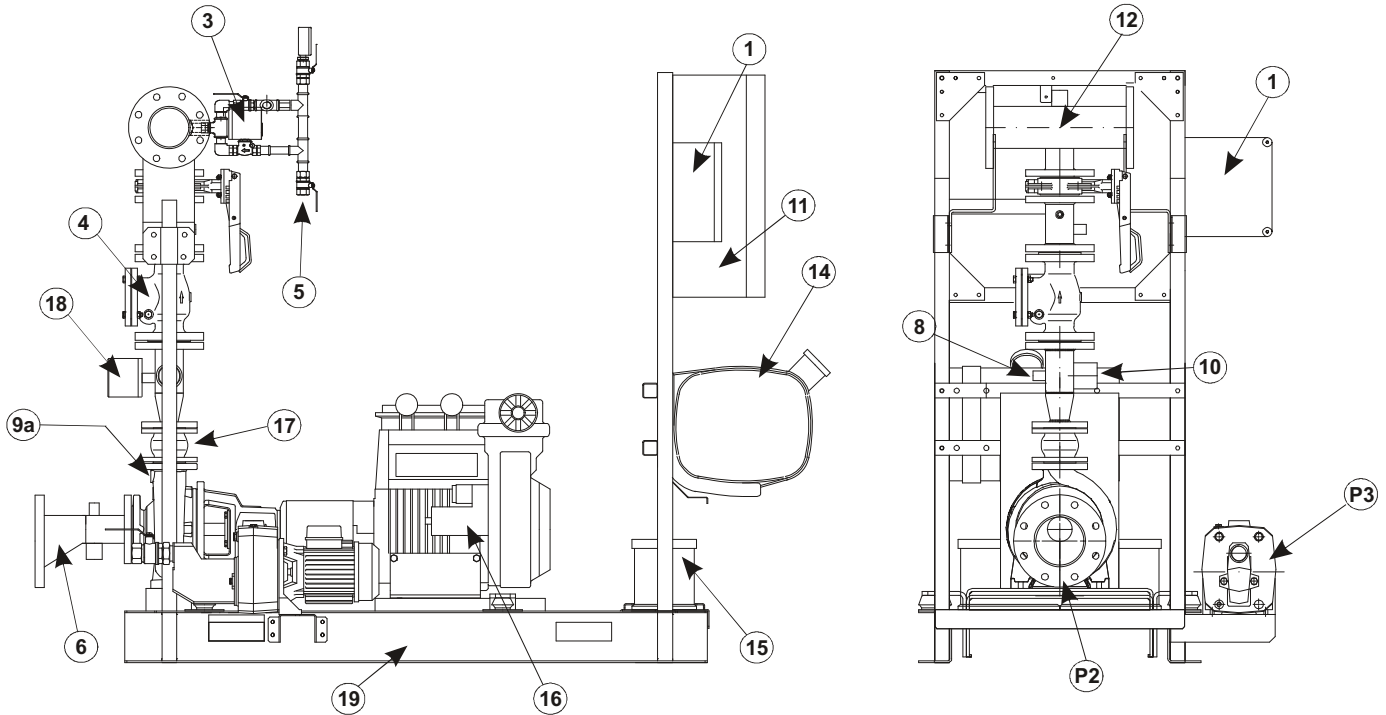


FIRE-FIGHTING SET TO STANDARD EN 12845 – UNI 10779

1 KDN Diesel Motor Pump + Pilot Pump



Main Electropump	Pilot Electropump
<p>ATTENTION! WHEN THE SET IS SUPPLIED, THE PUMP BODY DRAINAGE CAP IS UNSCREWED! THE DRAINAGE CAP IS IN THE BAG ATTACHED TO THE SET!</p>	

P2 Diesel Motor Pump

P3 Pilot Pump

1 Pilot pump electric panel

3 Pressure switches for starting pump

4 Check valve

5 Manual start valve

6 Eccentric suction pipe (OPTIONAL)

8 1/2" connection – check valve test

9a Pump air and recirculating vent 3/8"

10 2" connection
to be connected to the bottom of the priming tank

11 Diesel Motor Pump electric panel

12 Delivery manifold

14 Diesel Motor Pump tank

15 Diesel Motor Pump starting batteries

16 Diesel Motor

17 Vibration-damping coupling

18 Pump running pressure switch

19 Base (may be fixed to the ground)