

# FP600N BALL VALVES

## FULL PORT 600 WOG

### APPLICATIONS

- Multi-purpose shut-off valve for use in domestic hot and cold water systems, natural and bottled gas applications, and compressed air services.

### MATERIALS & CONSTRUCTION

- Meets and exceeds low lead requirements of NSF/ANSI 61-8/9
- Forged brass bodies and end pieces for increased strength.
- Full port construction for high flow coefficient.
- Durable chrome-plated brass ball.
- Body/end piece graphite gasket
- Viton® "O" Ring and PTFE packing for upper-stem seal, and PTFE thrust washer. This exclusive design provides superior sealing, low torque and operating reliability.
- Threaded packing nut for easy adjustment.

### DESIGN CRITERIA

All valves listed by UL to NSF/ANSI 61 "Drinking Water System Components - Health Affects"

Threaded (IPS) 1/4" - 2" only:

- AGA 3-88: Manual Valves for Indoor Piping Systems. Pressure rating: 5 psig.
- CGA CR 91-002: Manually Operated Gas Valves for Use on Piping Systems Installed Indoors. Pressure rating: 5 psig.
- UL listed Subject 258: Valves for Trim and Drain.

Each valve individually tested in an ISO 9002 facility.

Viton® is a registered trademark E.I. DuPont Co.



**TFP600N**  
1/4" - 2"



**SFP600N**  
1/2" - 2"

Look for the UL Certification to the NSF/ANSI 61 Standard.



Low-torque quarter-turn operation

# Brass Ball Valves

Two-Piece Body • Full Port • Blowout-Proof Stem • PTFE Seats

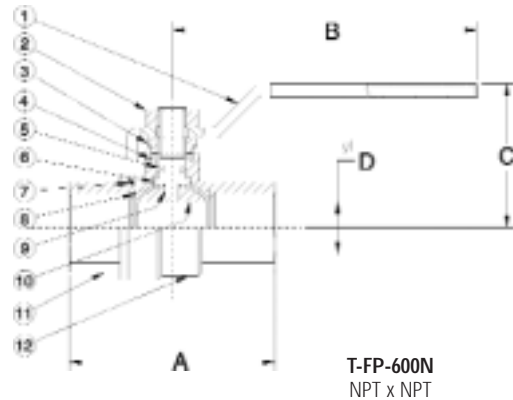
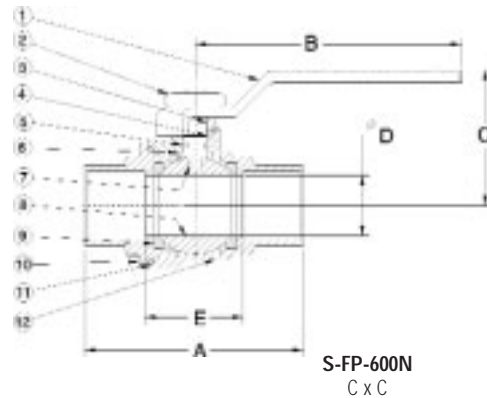
1/4"-2" 600 PSI/41.4 Bar Non-Shock Cold Working Pressure

CONFORMS TO MSS SP-110 • NSF/ANSI 61-8/9  
\*AGA 3-88 • \*CGA CR 91-002 • \*UL SUBJECT 258

## MATERIAL LIST

PART	SPECIFICATION
1. Handle	Zinc Plated Steel with Vinyl Sleeve
2. Handle Nut	Zinc Plated Steel
3. Pack Nut	Brass - ASTM B16 Alloy C36000
4. Packing	Teflon (PTFE)
5. O-Ring	Fluorocarbon (FKM)
6. Thrust Washer	Teflon (PTFE)
7. Body Seal	Graphite
8. Seat Ring (2)	Teflon (PTFE)
9. Stem	Brass - ASTM B16 Alloy C36000
10. Ball	Brass Chrome Plated ASTM B283 Alloy C3600
11. Body	Brass Forged - ASTM B283 Alloy C37700
12. Body End	Brass Forged - ASTM B283 Alloy C37700

Note: \*AGA, CGA and UL approvals for T-FP-600 1/4"-2" only.  
CSA is now the approving agency for AGA and CGA standards.



## DIMENSIONS—WEIGHTS—QUANTITIES

Size	Dimensions												SFP-600N		TFP-600N		SFP-600N		TFP-600N				
	A		A		B		B		C		C		E		Lbs.	Kg.	Lbs.	Kg.	Ctn. Qty.	Ctn. Qty.			
In. mm.	In.	mm.	In.	mm.	In.	mm.	In.	mm.	In.	mm.	In.	mm.	In.	mm.									
1/4	8	1.81	46	—	—	3.35	85	—	—	1.52	10	—	—	0.39	—	—	.36	.16	—	—	18	—	
3/8	10	1.81	46	—	—	3.35	85	—	—	1.52	12	—	—	0.47	—	—	.40	.18	—	—	18	—	
1/2	15	2.32	59	2.07	52	3.35	85	3.35	85	1.61	15	1.61	41	0.59	15	1.02	.48	.22	.46	.21	18	18	
3/4	20	2.65	67	2.85	72	3.35	85	3.35	85	1.78	20	1.78	45	0.79	20	1.28	.72	.33	.72	.33	12	12	
1	25	3.05	77	3.41	87	4.13	105	4.13	104	1.97	25	1.97	50	0.98	25	1.52	.39	1.22	.55	1.12	.51	6	6
1 1/4	32	3.62	92	3.86	98	4.13	105	4.13	104	2.19	37	2.19	56	1.26	32	1.81	.46	1.88	.85	1.64	.74	4	4
1 1/2	40	4.00	102	4.43	113	5.12	130	5.12	130	2.68	40	2.70	69	1.57	40	2.12	.54	2.72	1.24	2.68	1.21	2	2
2	50	4.82	122	5.49	140	5.12	130	5.12	130	2.97	51	2.99	76	1.97	50	2.70	.69	4.74	2.15	4.62	1.96	2	2

