

GROOVED RESILIENT SWING CHECK VALVE

Type: H84X

Doc No: DS-900-H84X-01-E-X

1.0 PRODUCT OVERVIEW

The grooved resilient swing check valve is a one-way check valve. When the medium flows forward, the valve disc opens under the action of fluid pressure. When the medium flows backward, the valve disc closes under spring elasticity and reverse fluid pressure, which cuts off the passage and prevents backflow.



Dimensions:

2"(DN50)-12"(DN300)

Design Standard:

AWWA C606, ISO 6182

Connection Standard:

AWWA C606, ISO 6182

Working Pressure:

300PSI, 250PSI, 200PSI, PN16, PN10

Application:

The grooved resilient swing check valve is suitable for fire protection system, the working temperature is from 0 to 80°C

Material of Matching Products:

Grooved to AWWA C606 or ISO 6182 valves or fittings

Surface Treatment:

Epoxy power painting (color numbers as RAL9005, etc)

Sign Off:

Owner: _____ Contractor: _____ Engineer: _____
Location: _____ Date: _____ Approved & Date: _____

- Painting (color numbers as RAL9005, etc)
- Others would be available upon clients' detailed request

2.0 APPROVALS

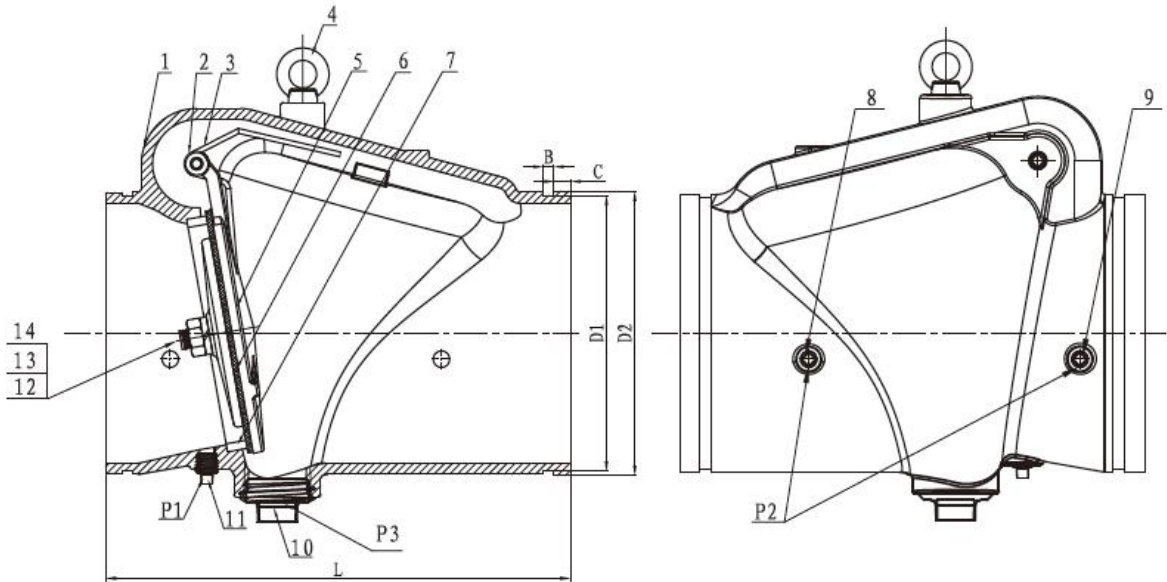


NSF/ANSI 61 NSF/ANSI 372



3.0 SPECIFICATIONS

Product Sketch:



Part No.	Part	Standard Specification	Options
1	Valve Body	EN-GJS-450-10	
2	Hinge Pin	SS420	
3	Spring	SS304	SS316
4	Eye Bolt	Carbon Steel Zinc Plated	
5	Disc	DN50-100 SS304 DN150-300 EN-GJS-450-10	
6	Disc Sealing Ring	EPDM	NBR
7	Seat Ring	ASTM B62 C83600 (Pressed Fit)	SS304, SS316 Pressed Fit or

Sign Off:

Owner: _____ Contractor: _____
 Location: _____ Date: _____

Engineer: _____
 Approved & Date: _____

			Threaded
8	Plug	Malleable Iron Galvanized	Bronze ASTM B584
9	Plug	Malleable Iron Galvanized	Bronze ASTM B584
10	Plug	Malleable Iron Galvanized	Bronze ASTM B584
11	Plug	Malleable Iron Galvanized	Bronze ASTM B584
12	Bolt	SS304	SS316
13	Washer	SS304	SS316
14	Nut	SS304	SS316

4.0 DIMENSIONS AND PERFORMANCE

Dimensions

DN	Dimensions(inch)							
inch	L	D1	D2	B	C	P1	P3	P2
2"	6.7323	2.2500	2.3740	0.3122	0.6252	1/2-14	1/2-14	3/8-18
2 1/2"	7.2441	2.7201	2.8740	0.3122	0.6252	1/2-14	1/2-14	3/8-18
2 1/2"	7.2441	2.8449	2.9961	0.3122	0.6252	1/2-14	1/2-14	3/8-18
3"	7.7559	3.3441	3.5000	0.3122	0.6252	1/2-14	1/2-14	3/8-18
4"	8.1102	4.3339	4.5000	0.3752	0.6252	1/2-14	1/2-14	1/2-14
5"	9.7638	5.3339	5.5000	0.3752	0.6252	1/2-14	1/2-14	1/2-14
5"	9.7638	5.3949	5.5630	0.3752	0.6252	1/2-14	1/2-14	1/2-14
6"	12.7559	6.3346	6.5000	0.3752	0.6252	1/2-14	1/2-14	1/2-14
6"	12.7559	6.4551	6.6260	0.3752	0.6252	1/2-14	1/2-14	1/2-14
8"	14.6063	8.4409	8.6260	0.4382	0.7500	1/2-14	1/2-14	1/2-14
10"	17.9921	10.5622	10.7480	0.5000	0.7500	1/2-14	1/2-14	1/2-14
12"	21.0630	12.5311	12.7520	0.5000	0.7500	1/2-14	1/2-14	1/2-14

5.0 REFERENCE MATERIALS

Approved Certification for Check Valve

Sign Off:

Owner: _____ Contractor: _____

Engineer: _____

Location: _____ Date: _____

Approved & Date: _____