

## WORKING DIMENSIONS

Length:	3.5 m (16 ft. 5 in.)
Width:	2.8 m (14 ft. 1 in.)
Height:	3 m (9 ft. 10 in.)
Weight:	4 tons

## INTERNATIONAL SHIPPING DIMENSIONS

Shipping Method:	One (1) containers 40'
------------------	------------------------

## FLOTATION

Dimensions:	Two pontoons 3.5 m x 1 m x 1.25 m with Central Platform
Draft:	80 – 90 cm

## WORKING CAPACITY

Capacity:	30 m <sup>3</sup> /h – 70 m <sup>3</sup> /h (132 gpm – 308 gpm)
Head:	21 m – 12 m (68 ft. – 39 ft.)
Working Depth:	Up to 30 m (98 ft.)

## SUBMERSIBLE DREDGE PUMP

Type:	EL5	EL12,5
Discharge Diameter:	80 mm	100 mm
Impeller Diameter:	245 mm / 4 blades open	308 mm / 4 blades open
Max. Solid Handling:	20 mm	25 mm
Speed:	1.450 rpm	1.450 rpm
Phases	3	3
Frequency	50/60 Hz	50/60 Hz
Voltage	On request	On request
Insulation Class	H	H
Power:	3.7 kW	9 kW
Capacity:	30 m <sup>3</sup> /h	70 m <sup>3</sup> /h
Head:	12 m	16 m
Working Depth:	Up to 30 m (98 ft.)	Up to 30 m (98 ft.)

## POWER SOURCE

Type:	On-shore Electric Power Generator
Minimum required Power:	50 kVA

## JET RING SYSTEM

Water capacity:	20 m <sup>3</sup> /h
Pressure:	6 bar – 7 bar
Drive:	On-barge horizontal high pressure pump

This dredge can be equipped with different pump. For any questions and special requests, please contact one of our sales representatives.

## PROPULSION

Standard	Two (2) 50 m steel Winches (available up to 110 m)
Secondary System:	Helix Propeller (OPTIONAL)

## ELECTRICAL SYSTEM

Voltage:	On request
----------	------------

## SAFETY

Features	Completely remote controlled dredge with no operators on-board. The dredge is controlled from up to 500m away from a remote control, greatly reducing the risk to the operators.
----------	--

## ANTI-CORROSION FEATURES

Includes:	Hull below deck painted with marine-grade epoxy. Hull above deck painted with polyurethane epoxy and remaining components coated with heavy-duty powder coating all suitable for salt-water service.
-----------	--

EQUIPMENT	BASIC	STANDARD	FULL OPTIONAL
Winches for moving	X	X	X
Night time operating lights	X	X	X
Electric Hoist	X	X	X
Control Panel	X	X	X
Temperature Sensor		X	X
Pond Bottom Liner Protection		X	X
Digital Depth Gauge		X	X
Power Consumption		X	X
Jet-Ring System			X
Moisture Sensor			X
Dredge GPS System			X
Helix Propeller			X

ANTI-CORROSION PACKAGE AVAILABLE ON REQUEST (PH 2 – 12)

The setups in the table above are referential. The final setup for the dredges is determined upon studying the client's needs.



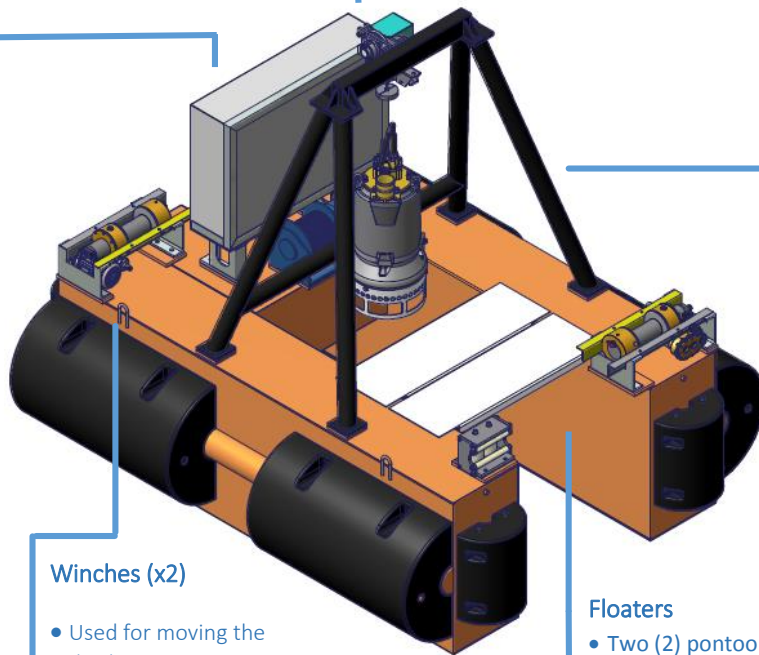
## THE DREDGE

### Jet Ring System

- On-barge horizontal, high pressure water pump
- Suction and Discharge hoses included
- Water flow: 20 m<sup>3</sup>/h
- Pressure: 6 bar – 7 bar

### Electric Control Panel

- Complete Control panel
- Connection for Power cable
- Regulates pump start-up with Reactor starter
- Distributes Power to all components on the dredge.



### Winches (x2)

- Used for moving the dredge
- Steel cables
- Optional propeller

### Floaters

- Two (2) pontoons 3.5 m x 1 m x 1.25 m with central platform
- Small draft



### Electric Hoist

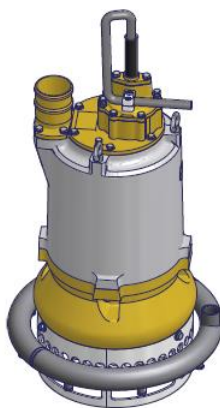
- Carefully move pump up and down
- Depth measuring pulley



## THE PUMP

### Jet-Ring System

- High pressure water jets used to rupture the material and have a higher solid concentration in the mixture
- Water Capacity: 20
- Pressure: 6 bar – 7 bar
- Drive: Horizontal high pressure pump



### Pump

- Capacity: 30 m<sup>3</sup>/h – 70 m<sup>3</sup>/h
- Head: 16 -12 m
- Discharge diameter: 80mm – 100mm
- Suction diameter: 415 mm
- Impeller diameter: 245 mm – 308 mm
- Max. solid handling: 20 – 25 mm
- Speed: 1.450 r.p.m.

### Remote Control

- Turn pump ON/OFF
- Jet-Ring ON/OFF
- Move pump up and down
- Move dredge sideways
- Emergency stop
- Display with working depth and power consumption

