

Principal Applications

For applications requiring safe, leak-free, continuous flow of aggressive chemicals, acids, alkalis, sterile and chilled fluids.

Wetted Materials

Standard EPDM O Ring, optional Nitrile or Viton
PP encapsulated magnet
PP Housing, PPS optional
PPS spindle housing
Alumina ceramic spindle

All PPS versions available for high temperature/pressure applications

Features

Manufactured in chemical resistant thermo-plastics – entirely non-metallic
Magnetic couplings provide an energy efficient thermal shield,
minimising heat transfer to the pumped fluid
IP54 standard motor housing. IP55 version available.
Deep groove ball bearings

NEMP40/4

230V 1Ph 50Hz
230V 1Ph 50Hz
230V 1Ph 60Hz
230V 1Ph 60Hz

Port Details

Plain 21mm
1/2"bsp Male
Plain 21mm
1/2"bsp Male

NEMP40/4

110V 1Ph 50Hz
110V 1Ph 50Hz
110V 1Ph 60Hz
110V 1Ph 60Hz

Port Details

Plain 21mm
1/2"bsp Male
Plain 21mm
1/2"bsp Male



ITT

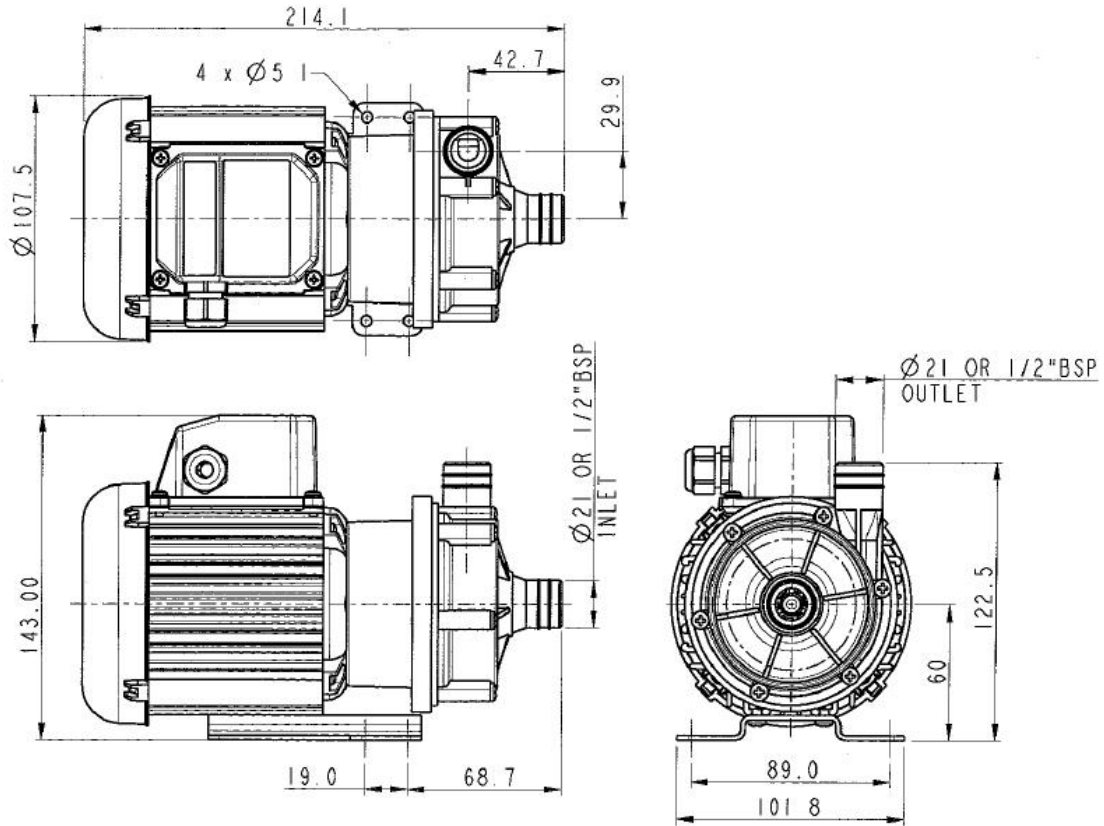
Engineered for life



Installation

Drawings not to scale
 Dimensions in millimetres

NEMP40/4

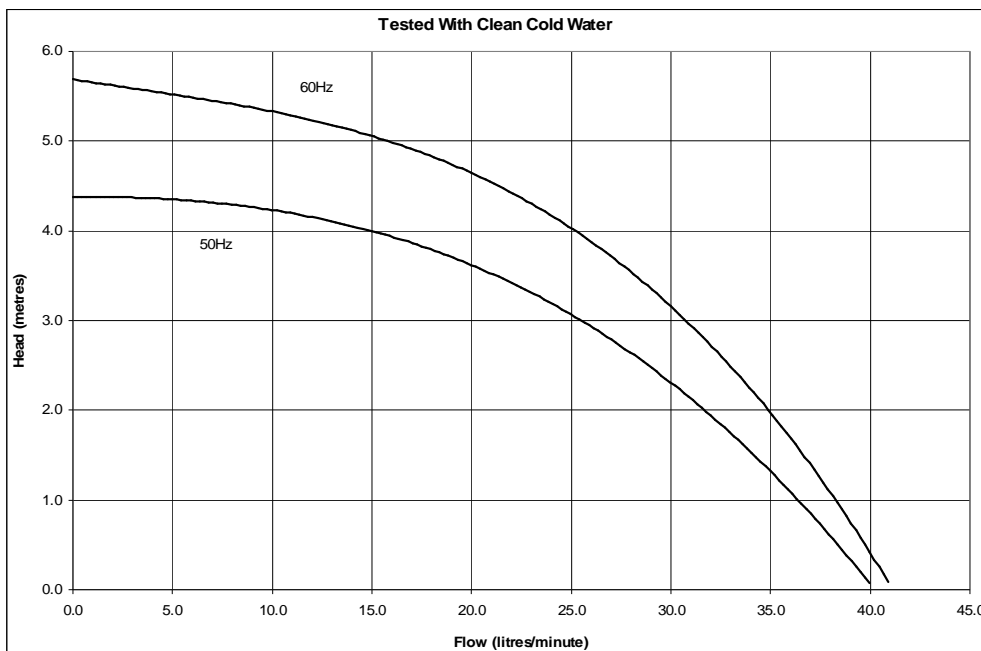


Specification

Model	Overall height (mm)	Overall length (mm)	Overall width (mm)	Weight (kg)	Max body pressure (bar)	Run-out flow rate (l/min)	Closed valve head (m)	Temp range (degC)	*Max specific gravity	Motor output (watts)
NEMP40/4	143	214	102	2.7	1.4	50Hz 40	50Hz 4.4	-20 to +85	1.2	30
						60Hz 41	60Hz 5.7			

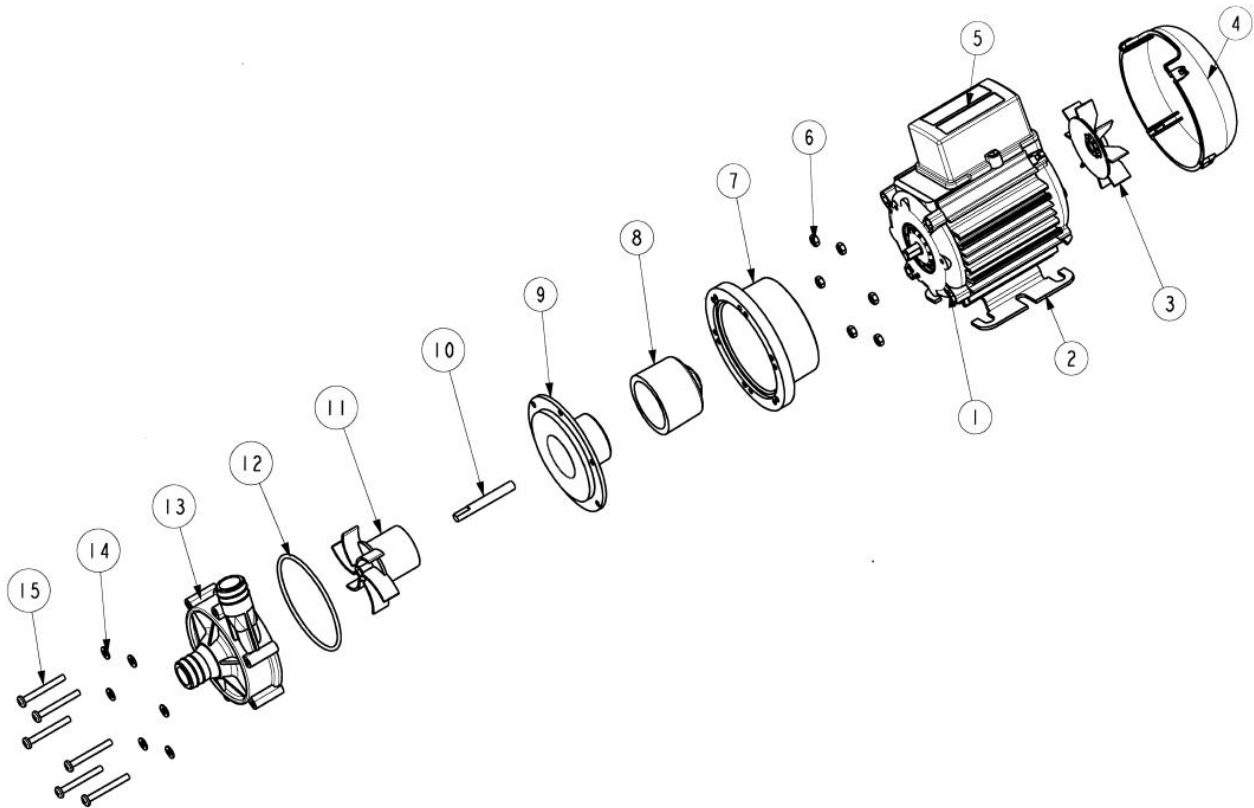
*Assuming maximum viscosity of 30cp. Refer to Totton Pumps for higher viscosities and specific gravities

Performance



NOTE: These magnetically coupled pumps are designed for use with clean fluids. Solids will cause jamming. Abrasives will reduce pump life & invalidate the warranty.
 NEMP pumps are not self priming & are not designed to run dry
 The company reserves the right to change specifications

Part List



Item Number	Description	Quantity	Part Number			
1	Motor	1	116849 (230 V)		116874 (110V)	
2	Mounting Foot	1	036329			
3	Fan	1	001577			
4	Fan Cowl	1	036085			
5	Terminal Box	1	036078			
6	Nut	6	032105			
7	Adaptor	1	036324			
8	Drive Magnet	1	006287			
9	Spindle Housing	1	016311			
10	Spindle	1	006244			
11	Impeller	1	026214 (50Hz)		026213 (60Hz)	
12	O ring	1	013290 (EPDM)	021056 (Viton)	003398 (Nitrile)	
13	Pump Body	1	016358 (plain port PP)	016366 plain port PPS	016360 (threaded port PP)	016368 threaded port PPS)
14	Washer	6	001565			
15	Screw	6	022115			

Totton Pumps Ltd.

Tel: +44 (0)23 8066 6685

Fax: +44 (0)23 8066 6880

Email: info@totton-pumps.com

Web: www.totton-pumps.co.uk