



- Coating: Fusion Bonded Epoxy Coating in accordance with ANSI/AWWA C550 or painting upon request

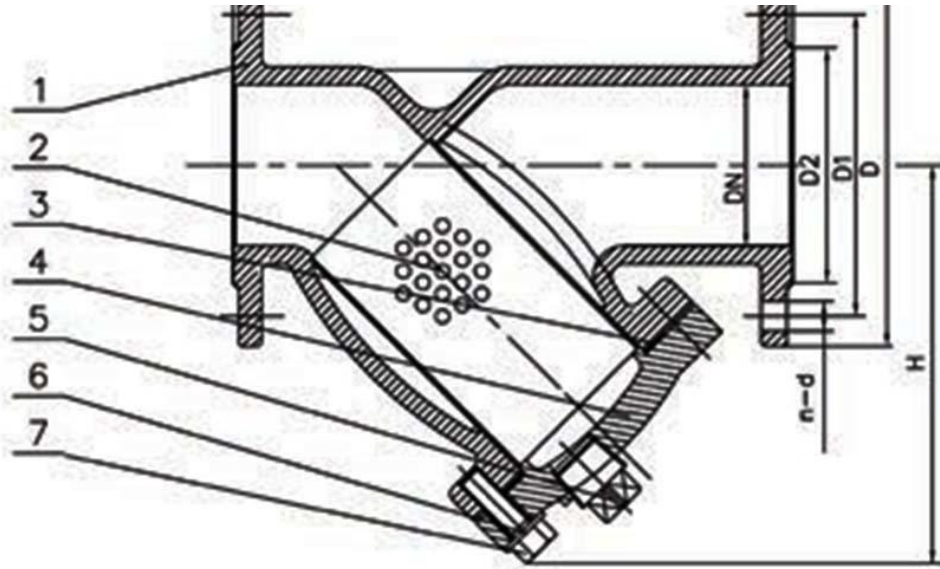
Part No.	Part	Standard Specification	Options
1	Valve Body	EN-GJS-450-10	
2	Screen	SS304 (Perforated)	SS304, SS316 (Perforated, Knitted, Double Screen)
3	Gasket	EPDM	Graphite+Acanthopore Plate
4	Bonnet	EN-GJS-450-10	
5	Plug	Malleable Iron Galvanized	Bronze ASTM B584
6	Bolt	Carbon Steel Zinc Plated	SS304, SS316
7	Flat Washer	Carbon Steel Zinc Plated	SS304, SS316

STANDARD SCREEN

DN		Sieve No.	Hole Dia.	Free Flow Area(%)
Inch	mm		mm	%
11/2"~6"	40~150	120	1.5	33
8"~12"	200~300	47	2	23
14"~16"	350~400	61	2	30

Note: For special material request other than standard specification, please indicate clearly on the inquiry or order list.





DN		PN	Dimensions(mm)							
Inch	mm		L	D	D1	D2	b	n-Φd	f	H
1/2"	15	10/16	130	95	65	45	14	4-Φ14	2	59
3/4"	20	10/16	150	105	75	56	16	4-Φ14	2	68
1"	25	10/16	160	115	85	65	16	4-Φ14	3	70
1 1/4"	32	10/16	180	140	100	76	18	4-Φ19	3	86
1.5"	40	10/16	200	150	110	90	19	4-Φ19	3	140
2"	50	10/16	230	165	125	99	19	4-Φ19	3	140
2.5"	65	10/16	290	185	145	118	19	4-Φ19	3	175
3"	80	10/16	310	200	160	132	19	8-Φ19	3	198
4"	100	10/16	350	220	180	156	19	8-Φ19	3	229
5"	125	10/16	400	250	210	184	19	8-Φ19	3	287
6"	150	10/16	480	285	240	211	19	8-Φ23	3	304





16	355	12-Φ28								
12"	300	10	850	460	400	370	24.5	12-Φ23	4	540
16	410	12-Φ28								
14"	350	10	838	520	460	429	26.5	16-Φ23	4	625
16	470	16-Φ28								
16"	400	10	864	580	515	480	28	16-Φ28	4	715
16	525	16-Φ31								

Company Features

1. Shenzhen Mech Valve Trading Co., Ltd. has productive bases strategically located around the China.
 2. Shenzhen Mech Valve Trading Co., Ltd. has a obvious advantage over technology for y strainer .
 3. By cause of the fundamental principle of being optimistic, Mech Valve intends to be a highly effective y filter manufacturer.
- Inquiry! Mech Valve will be committed to innovation of y type strainer and management philosophy. Inquiry!

About Us

